

DRASH[®]

THE WARFIGHTER'S CHOICE



TRAILERS

- MODULAR
- RAPIDLY DEPLOYABLE
- MOBILE
- RUGGED
- RELIABLE
- VERSATILE



TRAILERS

The Deployable Rapid Assembly Shelter (DRASH) Utility Shelter Transport (UST) Trailer is an integrated support system designed to provide mobility, power, and/or environmental control to DRASH shelters. Designed to operate in all terrain acceptable for military vehicles and to track behind military vehicles, DRASH UST Trailers conform to established “safe to transport” criteria by the Military Transport Management Command (MTMC) as suitable for “secondary and unimproved roads” and sealift transportability. Many trailers are also certified for air transport aboard select military aircraft.

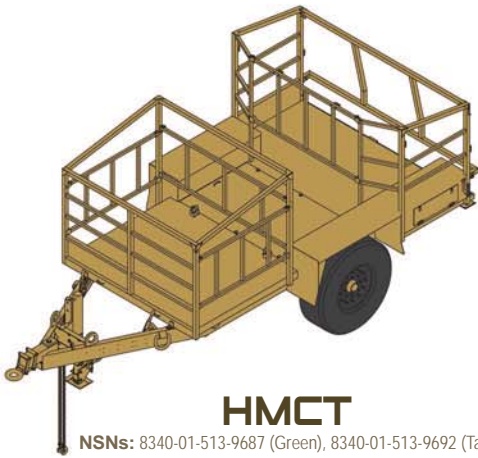
Select Trailer models use Intelligent Power Technology (IPT) by featuring a digital smart system for increased efficiency.

Some UST Trailer models include Genset outputs ranging from 5 kW to 33 kW and/or five, eight or 12 ton environmental control units (ECUs). Those models with ECUs include one or two supply ducts and one or two return air ducts per unit, which are designed to attach to any DRASH shelter at designated ports, providing a light-tight, weather-tight air seal. Select models of DRASH UST Trailers also include a 5, 16, 20, 26 or 45 gallon fuel tank and the capability to take fuel from any external fuel source.

DRASH UST Trailers have been formally tested at the Aberdeen Test Center (ATC) in Maryland and the Nevada Automotive Testing Center (NATC) to meet all relevant U.S. Military standards for UST trailers.

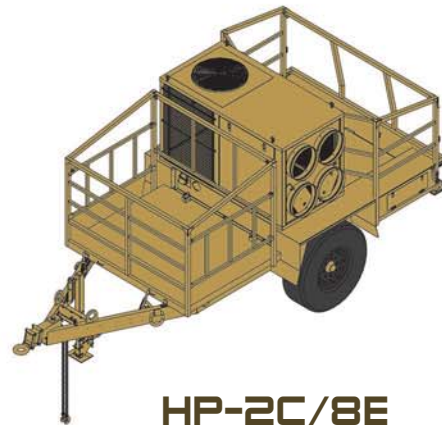
DRASH UST TRAILERS AT A GLANCE

	Generator	ECU	Cargo
HMCT			•
HP-2C/8E		•	•
HP-2C/5E		•	•
HP-2C/33	•		•
HP-2C/18	•		•
HP-2C/185	•	•	•
HP-2C/188	•	•	•
HP-2C/288 IPT	•	•	•
HP-2C/338	•	•	•
HP-4G/18 IPT	•		•
HP-4G/33* IPT	•		•
HP-4/188	•	•	•
HP-4/338	•	•	•
HP-4/3312	•	•	•
HP-J4	•		•
HP-8	•	•	•



HMCT

NSNs: 8340-01-513-9687 (Green), 8340-01-513-9692 (Tan)



HP-2C/8E

NSNs: 8340-01-514-0586 (Green); Pending (Tan)

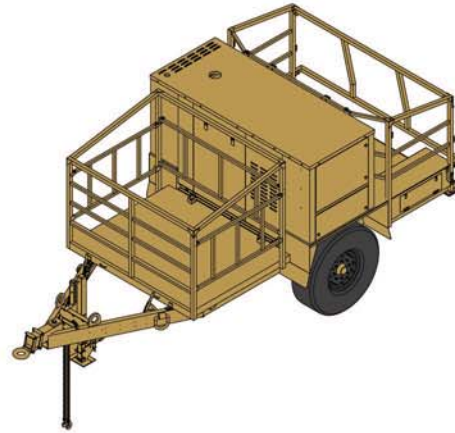
FEATURES			
Genset Output	[kW]	N/A	
Fuel Tank Capacity	[Gal/l]	N/A	
ECU Output	[ton]	N/A	
Cargo Volume	[cu.f/cu.m.]	145 / 4.1	
DIMENSIONS			
	[in. / m.]	WEIGHTS	
			[lbs. / kg.]
Length	194 / 4.9	Tare	1,568 / 711
Width	86 / 2.2	Gross	4,200 / 1,905
Height	78 / 2.0	Tongue	420 / 191

FEATURES			
Genset Output	[kW]	N/A	
Fuel Tank Capacity	[Gal/l]	5 / 18.9	
ECU Output	[ton]	8	
Cargo Volume	[cu.f/cu.m.]	145 / 4.1	
DIMENSIONS			
	[in. / m.]	WEIGHTS	
			[lbs. / kg.]
Length	194 / 4.9	Tare	2,382 / 1,081
Width	86 / 2.2	Gross	4,200 / 1,905
Height	81 / 2.1	Tongue	250 / 113



HP-2C/5E

NSNs: Pending

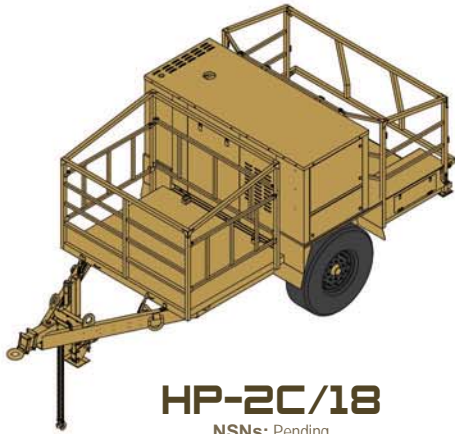


HP-2C/33

NSNs: 8340-01-459-4361 (Green); Pending (Tan)

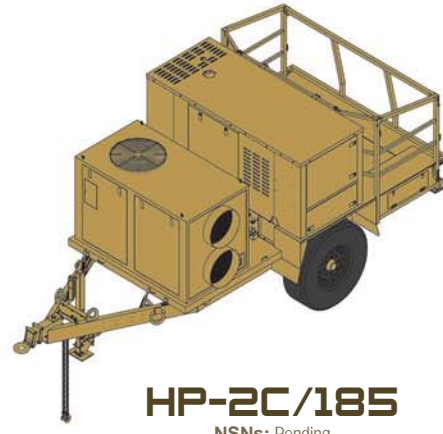
FEATURES			
Genset Output	[kW]	N/A	
Fuel Tank Capacity	[Gal/l]	5 / 18.9	
ECU Output	[ton]	5	
Cargo Volume	[cu.f/cu.m.]	145 / 4.1	
DIMENSIONS			
	[in. / m.]	WEIGHTS	
			[lbs. / kg.]
Length	194 / 4.9	Tare	2,173 / 986
Width	86 / 2.2	Gross	4,200 / 1,905
Height	81 / 2.1	Tongue	240 / 109

FEATURES			
Genset Output	[kW]	33	
Fuel Tank Capacity	[Gal/l]	26 / 98.4	
ECU Output	[ton]	N/A	
Cargo Volume	[cu.f/cu.m.]	145 / 4.1	
DIMENSIONS			
	[in. / m.]	WEIGHTS	
			[lbs. / kg.]
Length	194 / 4.9	Tare	3,362 / 1,525
Width	86 / 2.2	Gross	4,200 / 1,905
Height	78 / 2.0	Tongue	280 / 127



HP-2C/18

NSNs: Pending

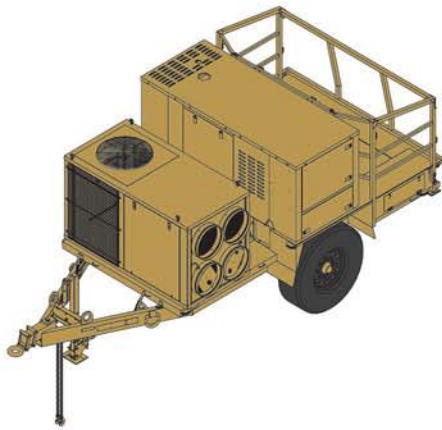


HP-2C/185

NSNs: Pending

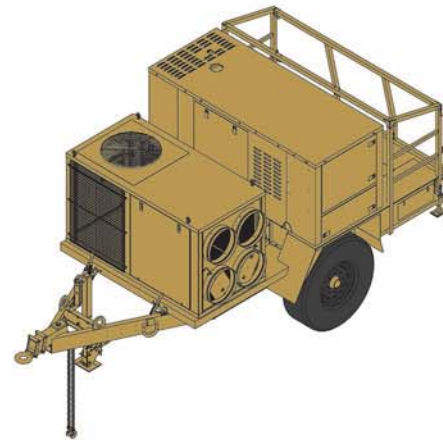
FEATURES			
Genset Output	[kW]		18
Fuel Tank Capacity	[Gal/l]		16 / 60.6
ECU Output	[ton]		N/A
Cargo Volume	[cu.ft/cu.m.]		145 / 4.1
DIMENSIONS			
	[in. / m.]	WEIGHTS	[lbs. / kg.]
Length	194 / 4.9	Tare	2,862 / 1,298
Width	86 / 2.2	Gross	4,200 / 1,905
Height	78 / 2.0	Tongue	260 / 118

FEATURES			
Genset Output	[kW]		18
Fuel Tank Capacity	[Gal/l]		16 / 60.6
ECU Output	[ton]		5
Cargo Volume	[cu.ft/cu.m.]		77 / 2.2
DIMENSIONS			
	[in. / m.]	WEIGHTS	[lbs. / kg.]
Length	194 / 4.9	Tare	3,340 / 1,515
Width	86 / 2.2	Gross	4,200 / 1,905
Height	78 / 2.0	Tongue	243 / 110



HP-2C/188

NSNs: 8340-01-459-4366 (Green); 8340-01-499-1803 (Tan)

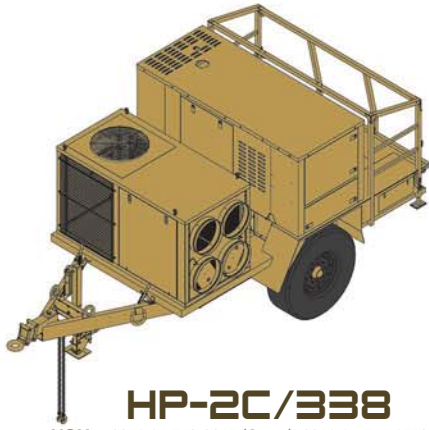


HP-2C/288 IPT INTELLIGENT POWER TECHNOLOGY

NSNs: Pending

FEATURES			
Genset Output	[kW]		18
Fuel Tank Capacity	[Gal/l]		16 / 60.6
ECU Output	[ton]		8
Cargo Volume	[cu.ft/cu.m.]		77 / 2.2
DIMENSIONS			
	[in. / m.]	WEIGHTS	[lbs. / kg.]
Length	194 / 4.9	Tare	3,549 / 1,610
Width	86 / 2.2	Gross	4,200 / 1,905
Height	78 / 2.0	Tongue	379 / 172

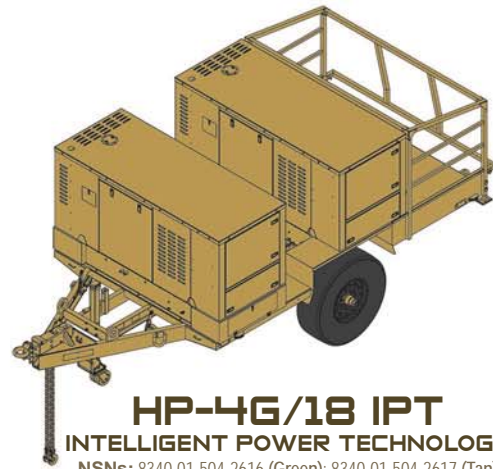
FEATURES			
Genset Output	[kW]		28
Fuel Tank Capacity	[Gal/l]		20 / 75.7
ECU Output	[ton]		8
Cargo Volume	[cu.ft/cu.m.]		58 / 1.6
DIMENSIONS			
	[in. / m.]	WEIGHTS	[lbs. / kg.]
Length	177 / 4.5	Tare	3,895 / 1767
Width	86 / 2.2	Gross	4,200 / 1,905
Height	78 / 2.0	Tongue	283 / 128



HP-2C/338

NSNs: 8340-01-513-9267 (Green), 8340-01-514-0578 (Tan)

FEATURES			
Genset Output	[kW]	33	
Fuel Tank Capacity	[Gal/l]	26 / 98.4	
ECU Output	[ton]	8	
Cargo Volume	[cu.ft/cu.m.]	58 / 1.6	
DIMENSIONS			
Length	[in. / m.]	WEIGHTS	[lbs. / kg.]
Length	177 / 4.5	Tare	Pending
Width	86 / 2.2	Gross	4,200 / 1,905
Height	78 / 2.0	Tongue	344 / 156



HP-4G/18 IPT

INTELLIGENT POWER TECHNOLOGY

NSNs: 8340-01-504-2616 (Green); 8340-01-504-2617 (Tan)

FEATURES			
Genset Output	[kW]	18 (x2)	
Fuel Tank Capacity	[Gal/l]	16 / 60.6 (x2)	
ECU Output	[ton]	N/A	
Cargo Volume	[cu.ft/cu.m.]	79 / 2.2	
DIMENSIONS			
Length	[in. / m.]	WEIGHTS	[lbs. / kg.]
Length	204 / 5.2	Tare	4,719 / 2,141
Width	86 / 2.2	Gross	6,500 / 2,948
Height	78 / 2.0	Tongue	575 / 261



HP-4G/33 IPT

INTELLIGENT POWER TECHNOLOGY

NSNs: 8340-01-504-2613 (Green); 8340-01-504-2614 (Tan)

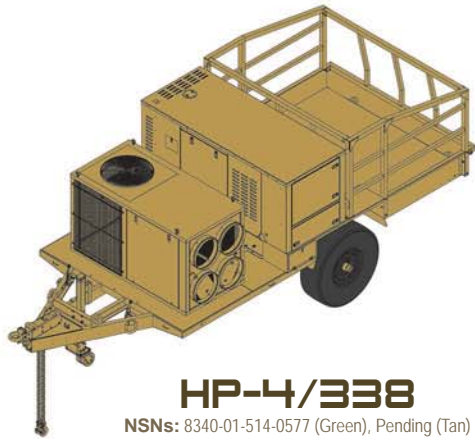
FEATURES			
Genset Output	[kW]	33 (x2)	
Fuel Tank Capacity	[Gal/l]	26 / 98.4 (x2)	
ECU Output	[ton]	N/A	
Cargo Volume	[cu.ft/cu.m.]	79 / 2.2	
DIMENSIONS			
Length	[in. / m.]	WEIGHTS	[lbs. / kg.]
Length	204 / 5.2	Tare	Pending
Width	86 / 2.2	Gross	6,500 / 2,984
Height	78 / 2.0	Tongue	Pending



HP-4/188

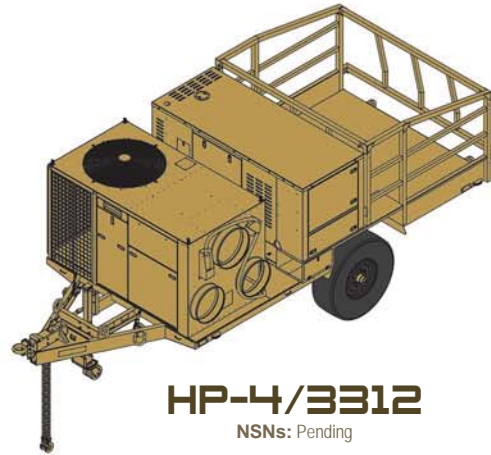
NSNs: 8340-01-459-4352 (Green); Pending (Tan)

FEATURES			
Genset Output	[kW]	18	
Fuel Tank Capacity	[Gal/l]	16 / 60.6	
ECU Output	[ton]	8	
Cargo Volume	[cu.ft/cu.m.]	140 / 4.0	
DIMENSIONS			
Length	[in. / m.]	WEIGHTS	[lbs. / kg.]
Length	228 / 5.8	Tare	Pending
Width	86 / 2.2	Gross	6,500 / 2,948
Height	78 / 2.0	Tongue	Pending



HP-4/338

NSNs: 8340-01-514-0577 (Green), Pending (Tan)

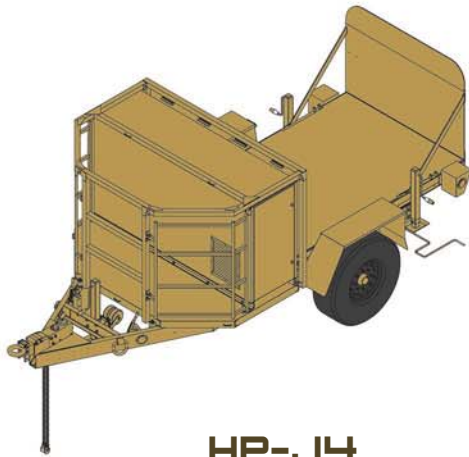


HP-4/3312

NSNs: Pending

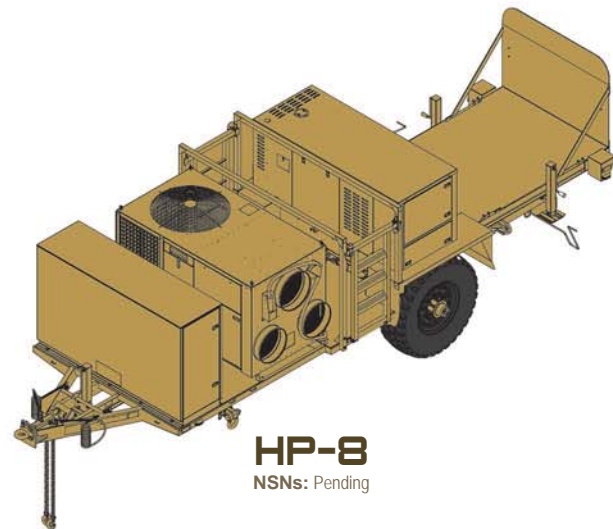
FEATURES			
Genset Output	[kW]		33
Fuel Tank Capacity	[Gal/l]		26 / 98.4
ECU Output	[ton]		8
Cargo Volume	[cu.f/cu.m.]		140 / 4.0
DIMENSIONS			
	[in. / m.]	WEIGHTS	
			[lbs. / kg.]
Length	228 / 5.8	Tare	4,737 / 2,149
Width	86 / 2.2	Gross	6,500 / 2,948
Height	78 / 2.0	Tongue	302 / 137

FEATURES			
Genset Output	[kW]		33
Fuel Tank Capacity	[Gal/l]		26 / 98.4
ECU Output	[ton]		12
Cargo Volume	[cu.f/cu.m.]		140 / 4.0
DIMENSIONS			
	[in. / m.]	WEIGHTS	
			[lbs. / kg.]
Length	228 / 5.8	Tare	5,292 / 2,400
Width	86 / 2.2	Gross	6,500 / 2,948
Height	78 / 2.0	Tongue	792 / 359



HP-J4

NSNs: 8340-01-533-1695 (Green), 8340-01-533-1656 (Tan)

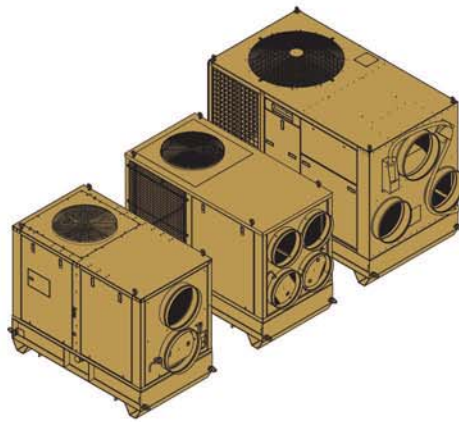


HP-8

NSNs: Pending

FEATURES			
Genset Output	[kW]		5
Fuel Tank Capacity	[Gal/l]		N/A
ECU Output	[ton]		N/A
Cargo Volume	[cu.f/cu.m.]		270 / 7.7
DIMENSIONS			
	[in. / m.]	WEIGHTS	
			[lbs. / kg.]
Length	209 / 5.3	Tare	2,588 / 1,174
Width	91.5 / 2.3	Gross	6,000 / 2,722
Height	80 / 2	Tongue	758 / 344

FEATURES			
Genset Output	[kW]		33
Fuel Tank Capacity	[Gal/l]		45 / 170.3
ECU Output	[ton]		12
Cargo Volume	[cu.f/cu.m.]		319 / 9
DIMENSIONS			
	[in. / m.]	WEIGHTS	
			[lbs. / kg.]
Length	312.5 / 7.9	Tare	8,071 / 3,661
Width	96.8 / 2.5	Gross	12,000 / 5,443
Height	91 / 2.3	Tongue	1,080 / 490

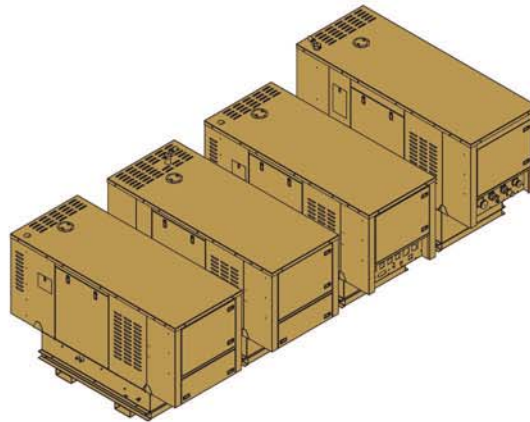


SKID MOUNTED ECU

NSNs: Pending [5 Ton], 8340-01-513-9655 (Green); 8340-01-514-0798 (Tan) [8 Ton]; Pending [12 Ton]

*Skid includes 5 gallon fuel tank for Webasto Heater.

	5 Ton	8 Ton	12 Ton
Ducts (supply/return)	2	4	3 or 4
Cooling Capacity (BTU/hr)	60,000	96,000	144,000
Heating Capacity (BTU/hr)	61,000	92,420	165,000
<hr/>			
Length [in. / m.]	66 / 1.7	71 / 1.8	83 / 2.1
Width [in. / m.]	34 / .9	34 / .9	45 / 1.1
Height [in. / m.]	52 / 1.3	52 / 1.3	61 / 1.5
Weight [lbs. / kg.]	750 / 340.2	950 / 430.9	1,490 / 675.9



SKID MOUNTED GENSET POWER OUTPUT: 208V / 3 PHASE / 60 HZ

NSNs: Pending

	18 kW	28 kW	33 kW Std.	33 kW Large
Fuel Capacity [Gal. / l.]	16 / 60.6	20 / 75.7	26 / 98.4	45 / 170.3
Control*	Analog/Digital	Digital	Analog/Digital	Analog/Digital
<hr/>				
Length [in. / m.]	85 / 2.2	85 / 2.2	85 / 2.2	90 / 2.3
Width [in. / m.]	35 / .9	35 / .9	35 / .9	35 / .9
Height [in. / m.]	57 / 1.4	57 / 1.4	57 / 1.4	62 / 1.6
Weight [lbs. / kg.]	1,475 / 669	1,775 / 805.1	1,925 / 873.2	1,975 / 895.8