

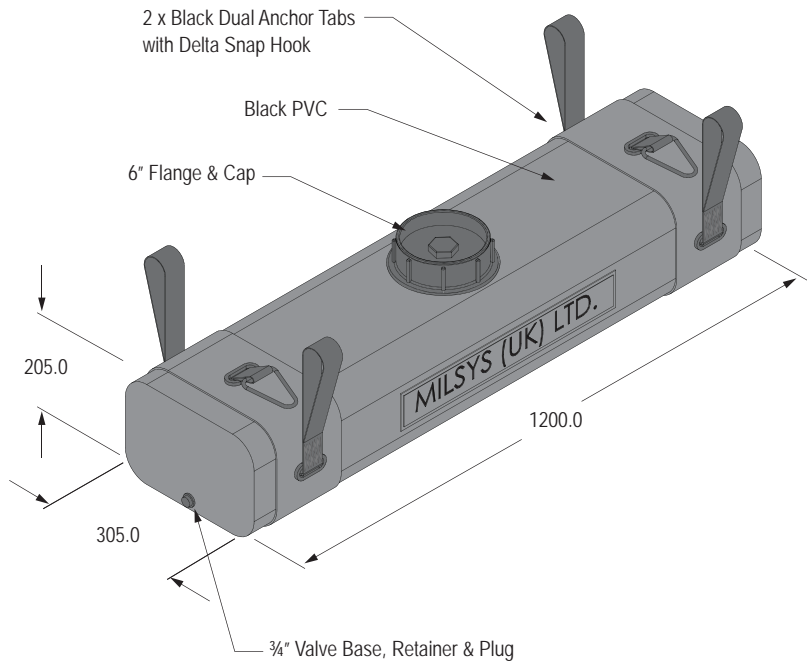


DRASH® Shelter Anchor Bag

The Shelter Anchor Bag is designed to secure a shelter or equipment on hard standing or provide extra support when required. It can be attached directly to the shelter windlines using the 2 snap hooks at either end or be placed directly onto the bottom edge of the shelter itself. It can be used in the same way to support and anchor other equipment.

The Shelter Anchor Bag is of nominal 75 litres capacity and is made from black PVC which is 0.76 mm thick. It measures 1200mm in length, is 305mm wide and is 135mm high.

There is a 98mm nozzle in the top of the bag and a cap where the bag is filled with water, and 2 anchor tabs. There is also a 3/4inch thumb wheel drain plug in the base (not shown in the diagram below).



MilSys (UK) Ltd
 Ramsden Road, Rotherwas, Hereford HR2 6NP, United Kingdom
 tel +44(0)1432 277 197 fax+44(0)1432 277 375
 email info@milsys.co.uk www.milsys.co.uk